

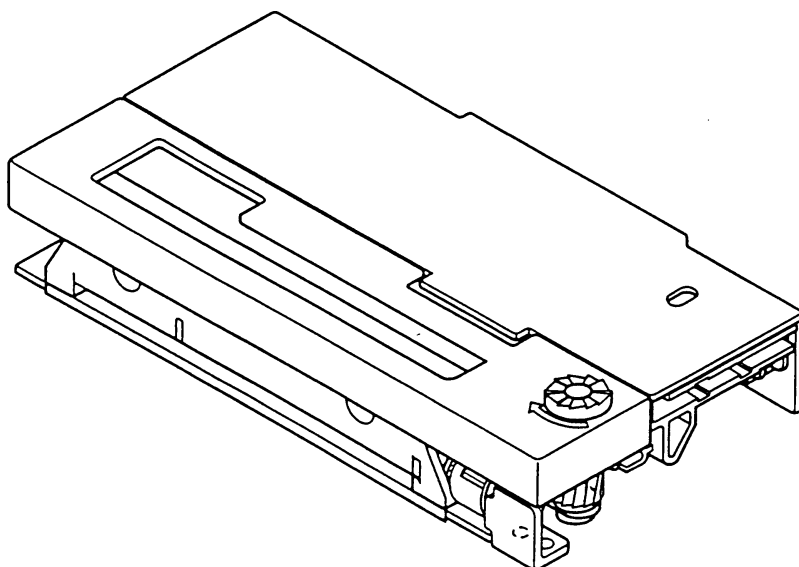
TECHNICAL MANUAL

(without price)

DOT PRINTER

MD-910

JAN. 1997



INDEX

CASIO®

Contents

1	Printer usage and Care	1
2	Specifications/Operating principles	2
2-1	Specifications	2
2-2	Outline of mechanism	3
2-3	Mechanism and operation principles	3
2-3-1	Power transmission mechanism	3
2-3-2	Sensor mechanisms	4
2-3-3	Print head mechanism	5
2-3-4	Paper feed mechanism	8
2-3-5	Ribbon cartridge drive mechanism	11
2-4	External connection terminals	11
2-4-1	Terminal arrangement	11
2-4-2	Terminal mechanism	12
2-4-3	Terminal circuit diagram	12
3	Disassembly/Reassembly	13
3-1	Tools	13
3-2	Disassembly procedure	13
3-3	Assembly procedure	14
3-3-1	Setting paper feed solenoid assembly	14
3-3-2	Setting the head assembly	15
3-3-3	Setting the paper feed assembly	16
3-3-4	Setting the main body assembly	18
4	Parts list	26
5	Exploded view	28

This is a “Table of Contents preview” for quality assurance

The full manual can be purchased from our store:

[https://the-checkout-tech.com/manuals/casio/MD-910 printer technical manual.html](https://the-checkout-tech.com/manuals/casio/MD-910%20printer%20technical%20manual.html)

And our free Online Keysheet maker:

<https://the-checkout-tech.com/Cash-Register-Keysheet-Creator/>

[HTTPS://THE-CHECKOUT-TECH.COM](https://THE-CHECKOUT-TECH.COM)